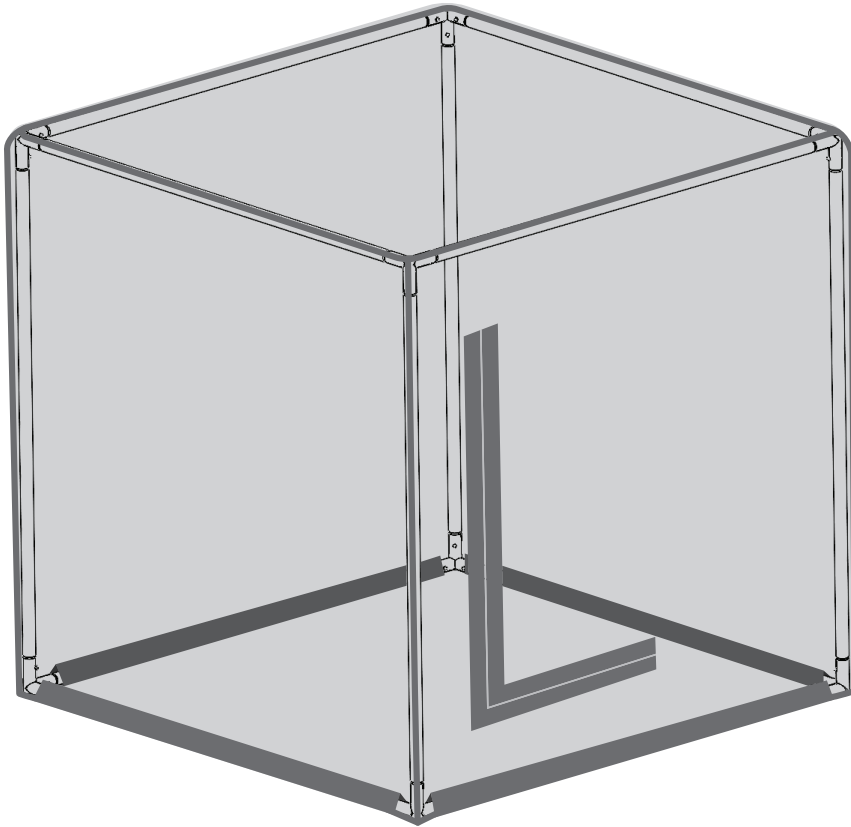


rapid.

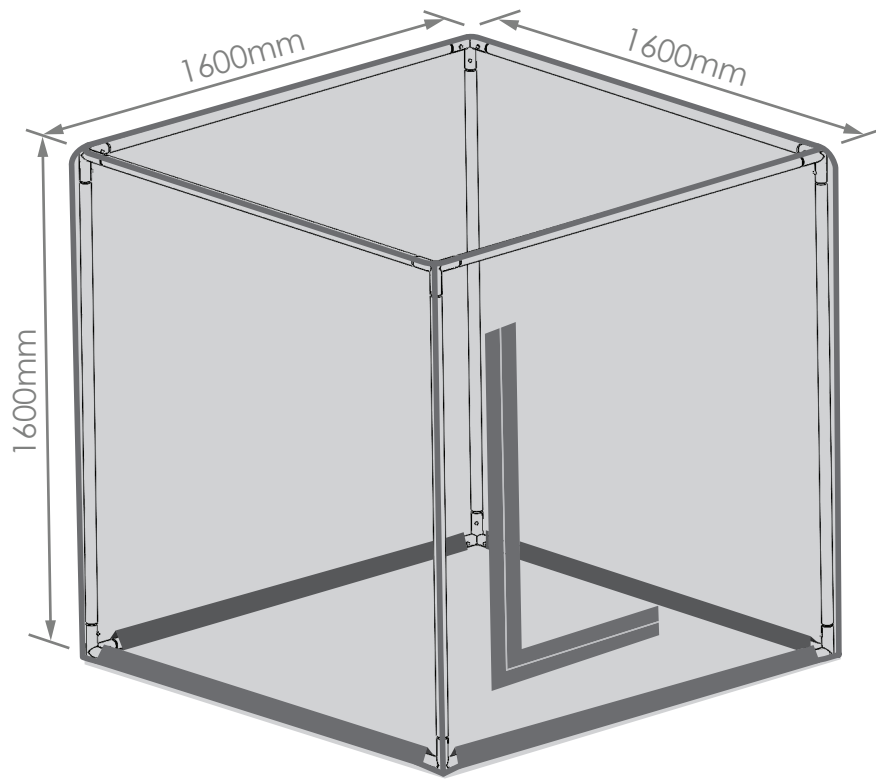
Cat Enclosure
1.6 x 1.6 x 1.6m



ASSEMBLY INSTRUCTIONS

401038

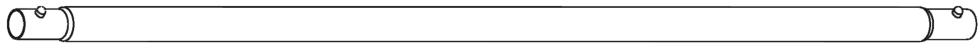
DIMENSIONS



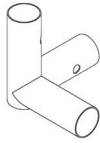
rapid.

PARTS

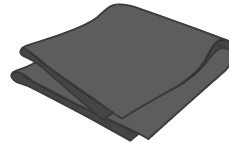
r1
12x



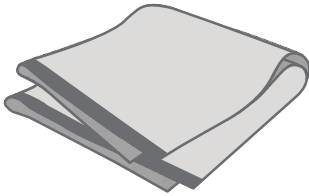
r2
8x



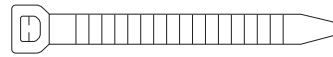
r5
1x



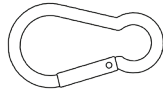
r3
1x



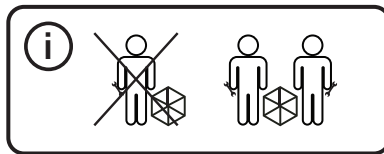
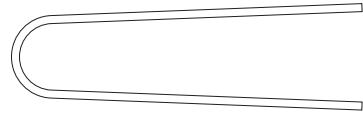
r6
50x



r4
1x



r7
8x



* The use of **r5** (sunshade), **r6** (zip ties to secure **r3** net to the frame), and **r7** (pegs to secure the frame to the ground) is optional.

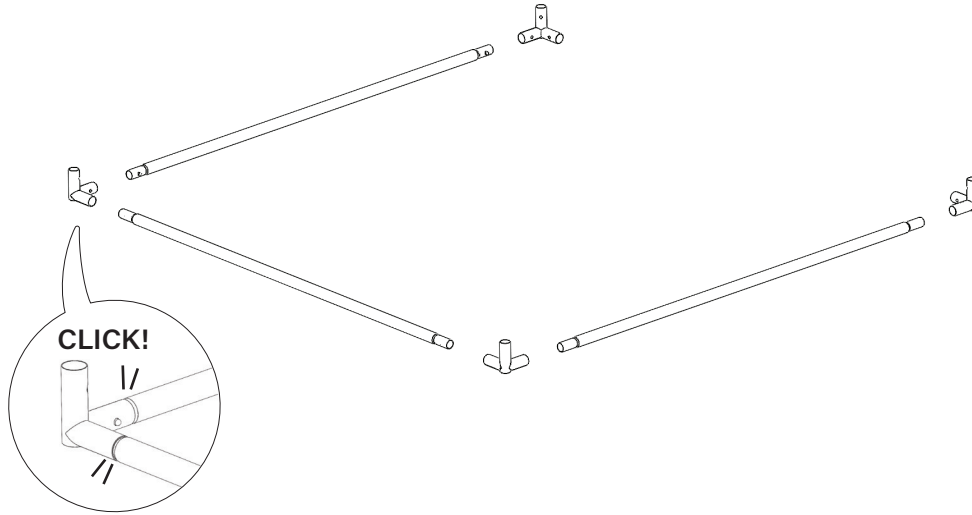


WARNING: Contains small parts that may cause choking.
Keep pets and children under 3 away during assembly.

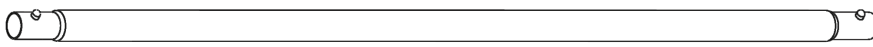
rapid.

ASSEMBLY INSTRUCTIONS

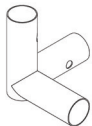
1



r1
3x



r2
4x

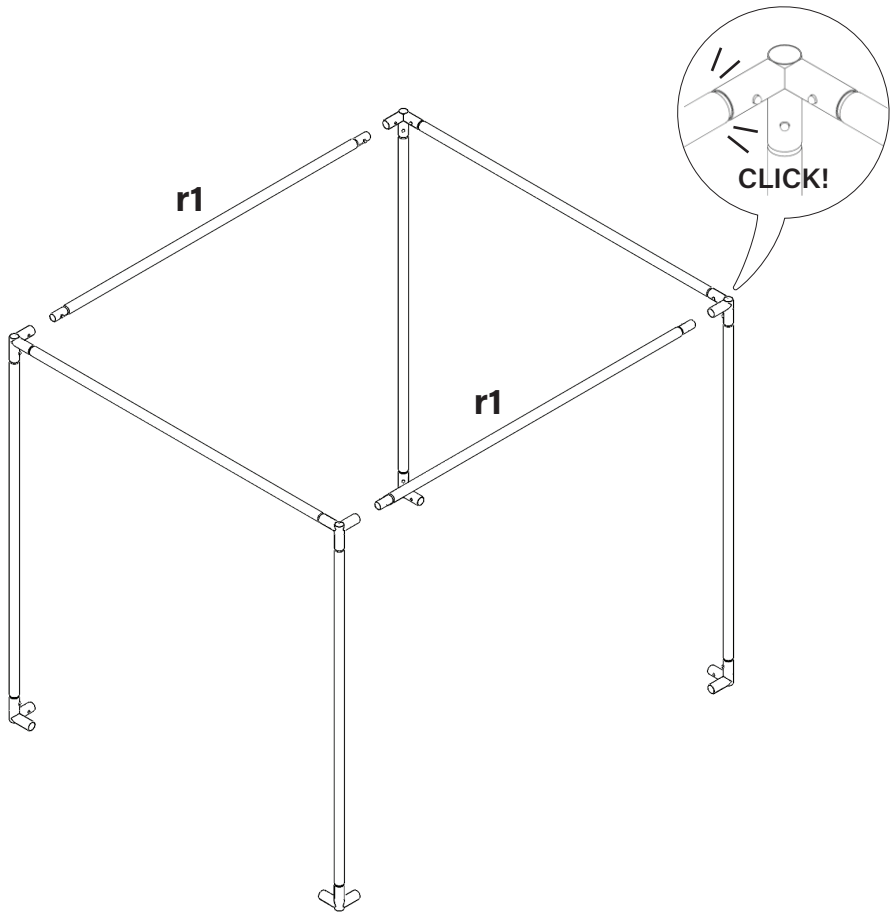
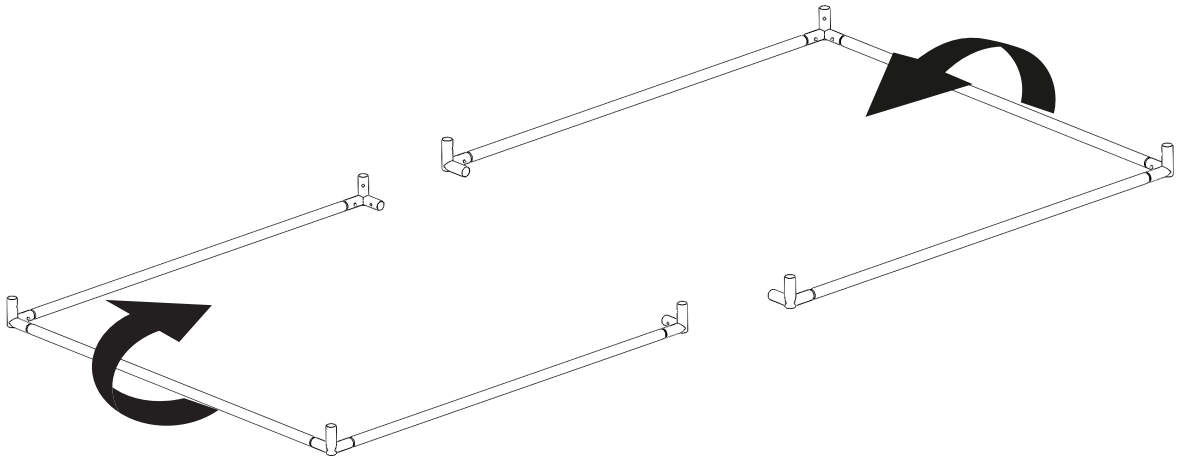
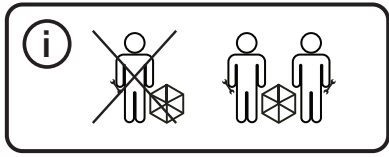


Repeat for the other side.

rapid.

ASSEMBLY INSTRUCTIONS

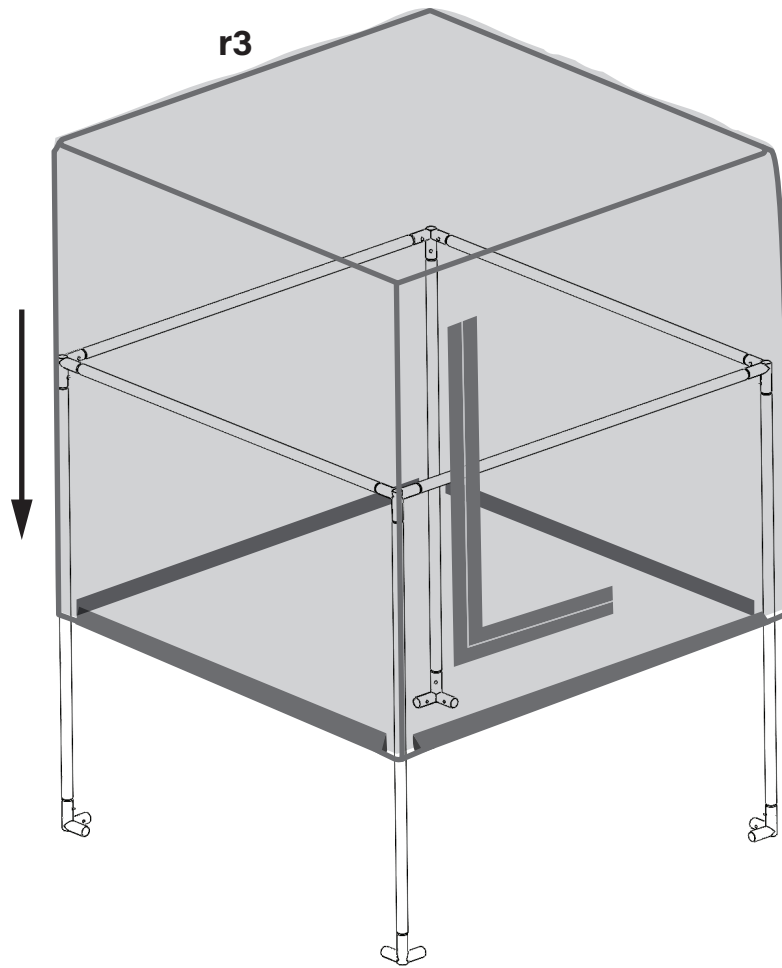
2



rapid.

ASSEMBLY INSTRUCTIONS

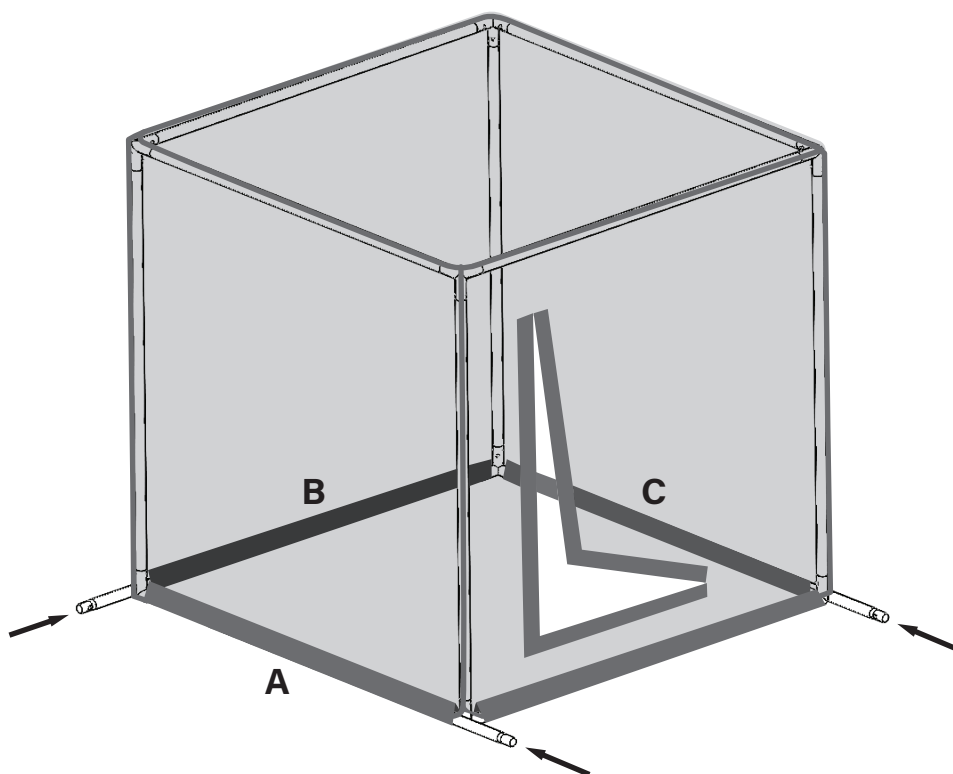
3



rapid.

ASSEMBLY INSTRUCTIONS

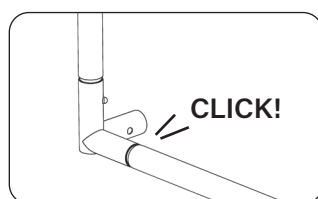
4



TIPS:

Unzip entry to release tension on netting.

Install tubes A, B, and C into position until **'click'** sound is heard.

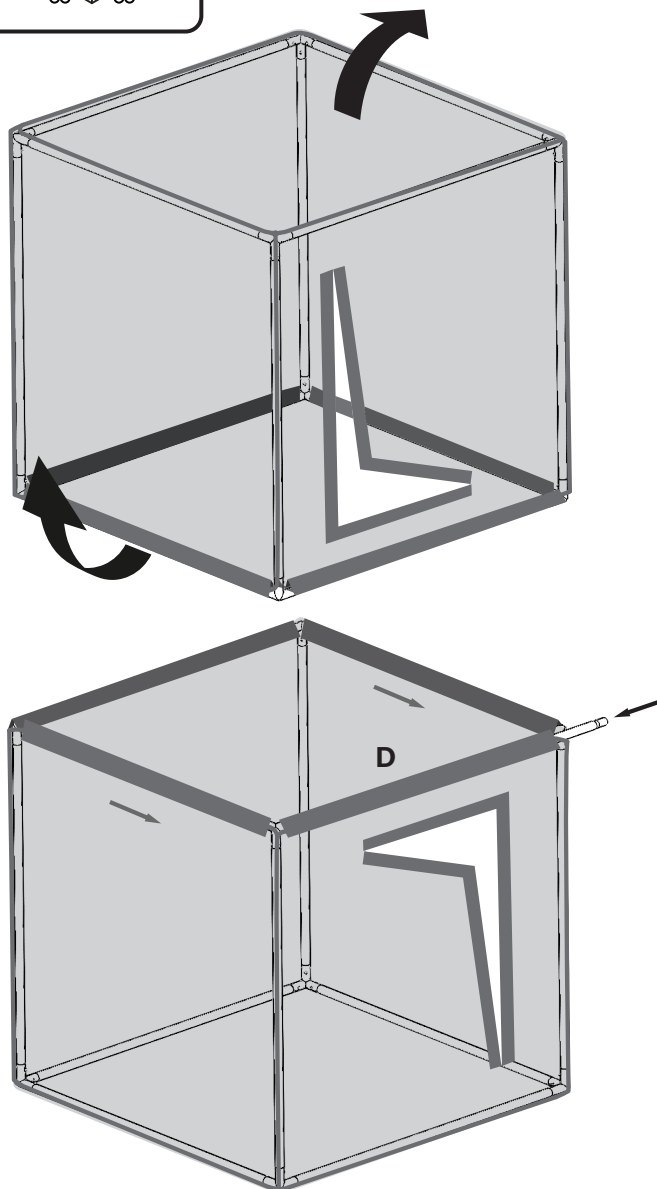
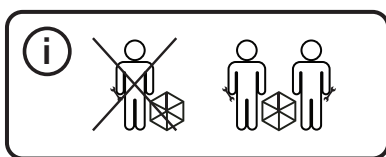


Leave tube D until enclosure is flipped.

rapid.

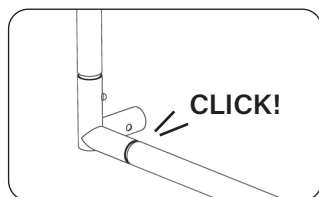
ASSEMBLY INSTRUCTIONS

5



TIPS:

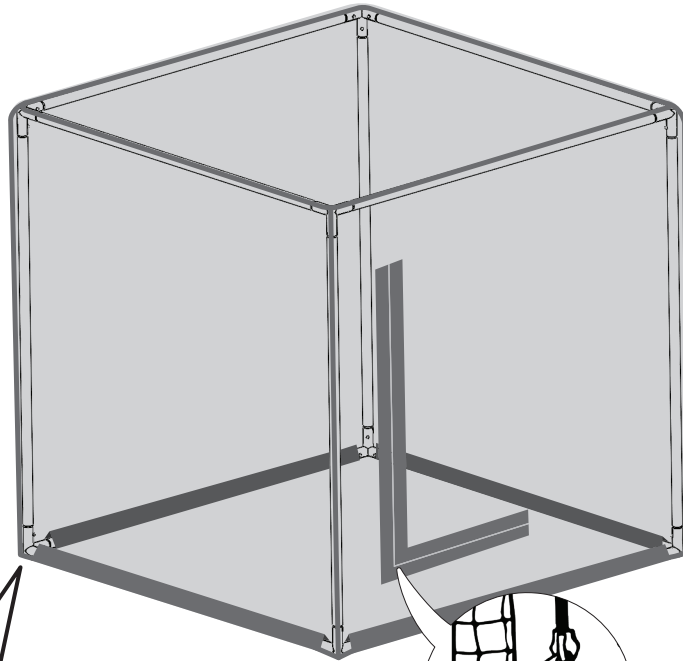
Pull netting towards zipper opening to help fit tube D.
Install tube D into position until 'click' sound is heard.



rapid.

ASSEMBLY INSTRUCTIONS

6



TIPS:

Adjust netting so it is neat and square before adding cable ties.

Add **cable tie** to all corners to tighten netting to bottom tube.

rapid.

IMPORTANT USAGE NOTICE



This enclosure is purpose-built for domestic cats. It is not intended for dogs or other animals, and Rapid does not cover damage caused by pets housed inside or interacting from outside the enclosure.

For households with young cats, please note due to the netting size, kittens under 6 months should not be left unsupervised for extended periods.

To ensure optimal safety and durability, we strongly recommend installing all netting with the maximum practical tension. A taut setup helps maintain structural integrity and keeps your feline companions secure.

Except for warranties that are legally required and cannot be excluded, Rapid makes no other guarantees regarding its nets or related accessories. We do not accept liability for any indirect or consequential loss resulting from their use.

Use of these products is entirely at your own discretion and risk. We strongly recommend inspecting the netting and accessories regularly for signs of wear, damage, or deterioration.

While our products are designed for durability, no net or accessory is immune to failure. Rapid cannot guarantee against breakage and accepts no responsibility for any injury, damage, or loss that may occur as a result.

rapid.